

INSTALLATION & MAINTENANCE

INSTALLATION

The Stream Vac™ comes complete with a flexible magnetic swivel base to be secured to any surface that will hold the magnet and unit in place. The fitting and shut off valve assembly is secured to the swivel base. The second fitting assembly is secured to the swivel base and to the amplifier unit. The hose kit assembly is then secured to the amplifier unit. A choice of three suction nozzles is available – tapered oval, round and rectangular.

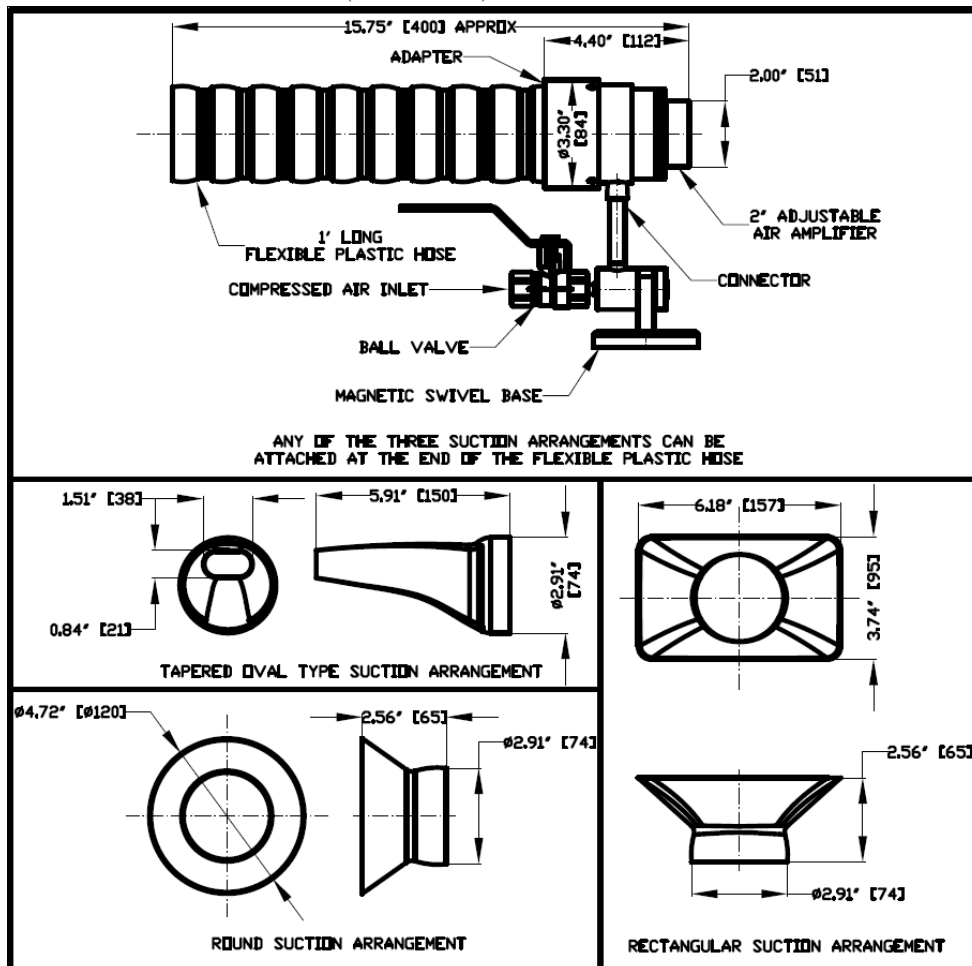
Clamp or otherwise secure to the small end of the amplifier a 2” hose to remove the fumes, smoke and particulate area. Keep hose to a maximum of 25 feet (8 meters). Connect to a compressed air line. We recommend a 3/8” tube or hose. Adjust the gap of the amplifier by loosening the lock ring, open up or close the gap to the desired position. Keep the gap between .002” (50 Microns) to .004” (100 Microns) for optimum performance. The strongest suction will be at the .004” (100 Microns) position. The most economical and most commonly required use will be at the .002” (50 Microns) position.

CARE OF THE COMPRESSED AIR SUPPLY

Because a small gap is used for the compressed air outlet, we recommend filtration to remove any moisture, oil and dirt from the air lines. For water removal, a minimum 0.03 micron filter complete with automatic (float type) drain should be used. If oil is a concern, an oil removal filter should be added downstream from the water filter and should also have an automatic (float type) drain. Filters should be mounted near the unit within 10 to 15 feet (3 to 4.6 meters).

MAINTENANCE

If the unit becomes clogged from contamination simply dismantle, clean and reassemble. Sometimes dirty film can build up at the throat of the amplifier due to the vapor, or smoke or dirt being drawn into the assembly. Clean the surface with a mild solvent and clean rag. To prevent contaminants from entering into the gap, do the cleaning with a small amount of compressed air passing through the unit.



For Assistance in India, please contact
KJN ENTERPRISES
 68A, New Empire Industrial Estate,
 Kondivita Lane, J.B. Nagar,
 Andheri (E), Mumbai 59.
 Ph.: 022 – 28342079 / 30888514
 Fax: 022 – 30888515
 Email: info@kjnenterprises.com
 Web Site: www.kjnenterprises.com



For Assistance Worldwide, please contact
NEXFLOW AIR PRODUCTS CORP.
 E-mail: sales@nex-flow.com
 Web site: www.nex-flow.com

