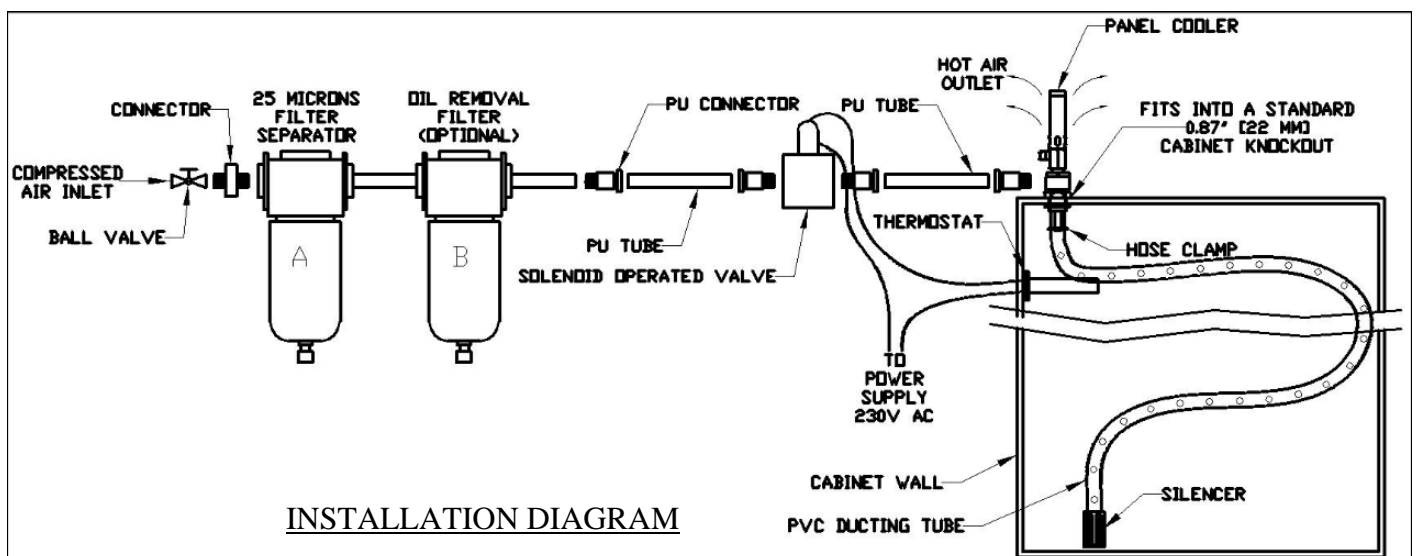


# CABINET PANEL COOLERS [MINI] INSTALLATION & MAINTENANCE

## INSTALLATION GUIDELINES

1. Ensure that compressed air lines are properly sized to keep pressure drop to a minimum. Use at least 1/4" pipe or 3/8" hose for supply line runs up to 10 feet (3 Mtrs.) , 3/8" pipe or 1/2" hose for runs up to 50 feet (4.6 Mtrs.) and 1/2" pipe lines for longer runs. Do not use restrictive fittings such as quick couplings which will reduce the effectiveness of the cooling systems.
2. All systems come complete with a properly sized 25 micron filter with a manual drain. If oil is a problem in your air lines, use a properly sized oil removal filter with at least a .3 micron rating. Install all filters within 10 feet (3 Mtrs) to 15 feet (4.6 Mtrs) of the cooling unit.
3. Panel cooler **MUST** be vertically mounted on a flat surface for all enclosure types as listed below. The Frigid-X™ system is easy to install through a 0.87" (22 MM) diameter hole in the enclosure. Lock nut on the cooling unit will lock it in place. Contact the factory or your local distributor for correct sizing of the system to account for the temperature of the incoming air as well as the surrounding air temperatures and the heat loads in the enclosure.
4. A cold air distribution hose kit is provided along with the cooler free of charge to direct the cold air to any hot spots as required. Holes may be cut or drilled in the tubing. Use at least 6 – 1/8" diameter holes in the tubing to minimize any back pressure on the cooling unit. The end is typically plugged and the kit is supplied with an extra muffler at the plugged end.
5. Close off any vents or other openings that may draw in ambient air, especially in warm or hot high humidity environments. This entrained air can condense inside the control enclosure much like water that forms on the outside of an ice-filled drinking glass on a summer day. Relocate any external fans inside the enclosure to help circulate the internal cooled air.
6. Frigid-X™ enclosure coolers may be either run constantly or, can use on-off control with a thermostat and solenoid valve package. The thermostat supplied by NexFlow may be mounted through the enclosure wall or on a bracket inside the enclosure. It is not sensitive to its position for operation but should be mounted in a hot area of the enclosure. The thermostat is then connected to the hot line supplying the solenoid valve. It is normally open, and closed when actuated, when the temperature rises. The thermostat is preset at 95°F (35°C) and will hold that setting within plus or minus 2° inside the control enclosure. The thermostat can be reset following the instructions with the thermostat. The solenoid valve should be mounted between water removal filter and the cooling unit. The solenoid valve is controlled by the thermostat but may also be controlled by the machine it is used on.



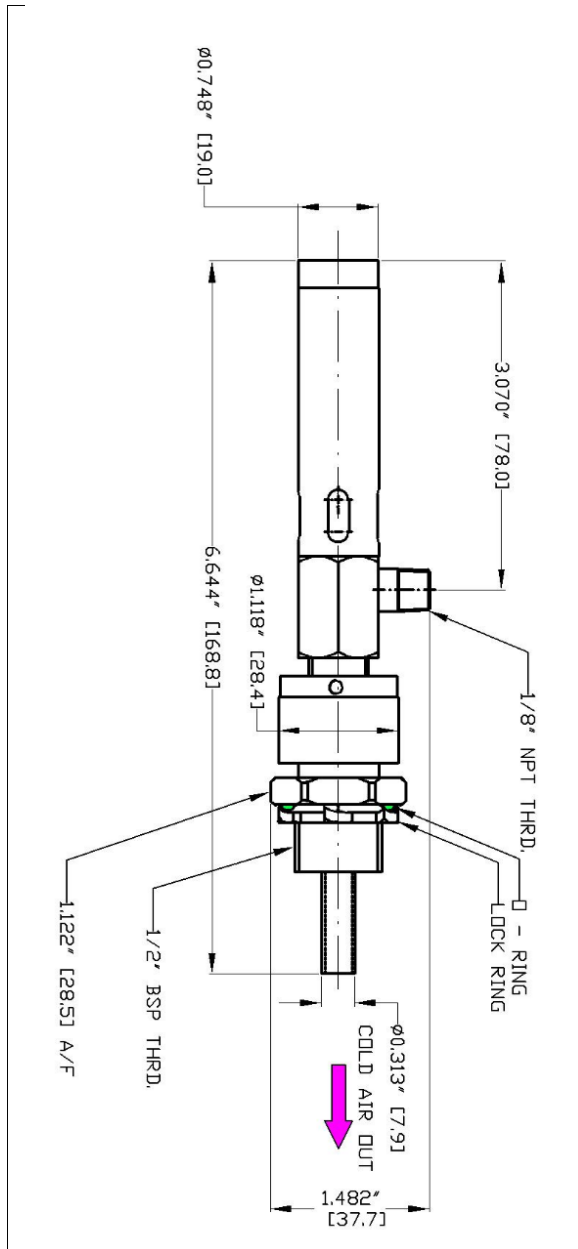
**BASIC TYPES AND PART NUMBERS:**

**NEMA TYPE 12 - Models 600\_\_ A**

**NEMA TYPE 3R – Models 600\_\_ R**

**NEMA TYPE 4-4X – Models 601\_\_ X**

**DIMENSIONAL DRAWING**



**For Assistance in India, please contact**

**KJN ENTERPRISES**

68A, New Empire Industrial Estate,

Kondivita Lane, J.B. Nagar,

Andheri (E), Mumbai 59.

Ph.: 022 – 28342079 / 30888514

Fax: 022 – 30888515

Email: [info@kjnenterprises.com](mailto:info@kjnenterprises.com)

Web Site: [www.kjnenterprises.com](http://www.kjnenterprises.com)



Leading Technology Into The Future  
**NEX FLOW**  
Technologies Inc.

**For Assistance Worldwide, please contact**

**NEXFLOW AIR PRODUCTS CORP.**

E-mail: [sales@nex-flow.com](mailto:sales@nex-flow.com)

Web site: [www.nex-flow.com](http://www.nex-flow.com)