

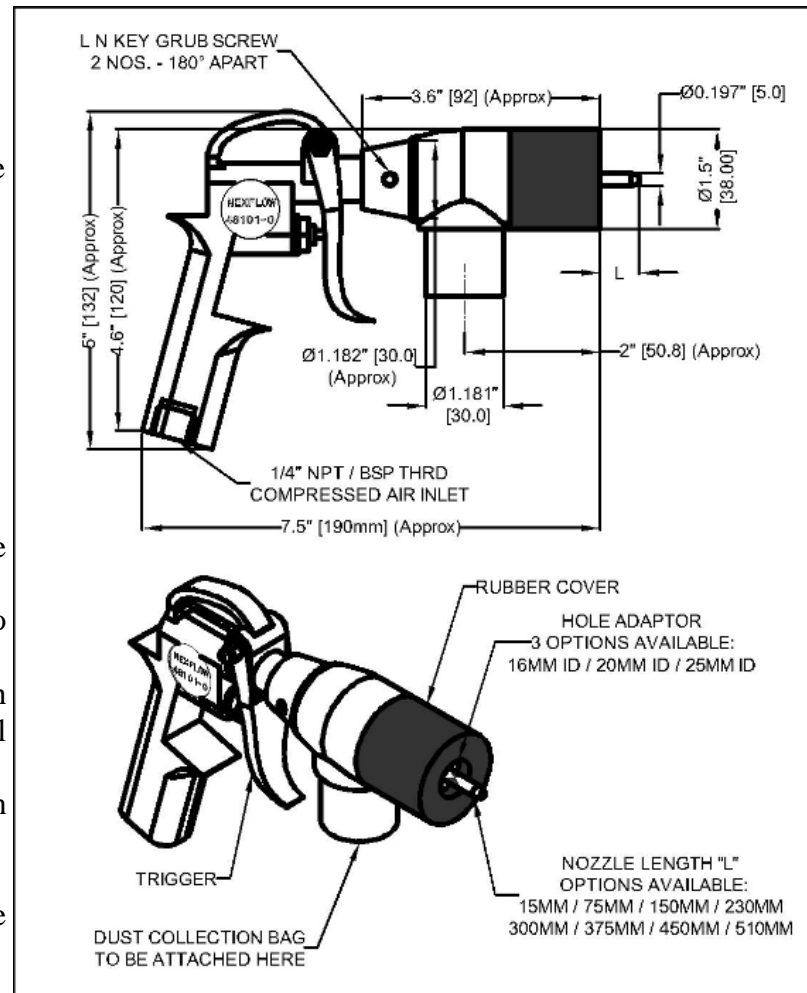
# BLIND HOLE CLEANING SYSTEM INSTALLATION & MAINTENANCE

## INSTALLATION AND USE

1. Connect Blind Hole Cleaning Gun to airline. Use clean filtered compressed air.
2. MAXIMUM pressure used should be no more than 100 PSIG (6 bar)
3. Press trigger ONLY when the hole adaptor fully covers the hole being cleaned.
4. Empty bag at regular intervals.

## MAINTENANCE OF UNIT AND CHANGING OF HOLE ADAPTOR AND NOZZLE

1. Disconnect airline.
2. Use Allen key to loosen grub screws of hole adaptor.
3. Hold handle end in a vice and use spanner to loosen nozzle.
4. Change nozzle as required and tighten with spanner. Do not over tighten or it will spoil threads.
5. Fit adaptor in same plane as handle to align with flats on the nozzle end.
6. Tighten firmly with an Allen key
7. Ensure bag is zipped and clamped tight to the adaptor exit.
8. To remove dirt use gloves and open bag zip.
9. Empty bag at regular intervals.



**For Assistance in India, please contact**  
**KJN ENTERPRISES**  
 68A, New Empire Industrial Estate,  
 Kondivita Lane, J.B. Nagar,  
 Andheri (E), Mumbai 59.  
 Ph.: 022 – 28342079 / 30888514  
 Fax: 022 – 30888515  
 Email: [info@kjnterprises.com](mailto:info@kjnterprises.com)  
 Web Site: [www.kjnterprises.com](http://www.kjnterprises.com)



Leading Technology Into The Future  
**NEX FLOW**  
 Technologies Inc.

**For Assistance Worldwide, please contact**  
**NEXFLOW AIR PRODUCTS CORP.**  
 E-mail: [sales@nex-flow.com](mailto:sales@nex-flow.com)  
 Web site: [www.nex-flow.com](http://www.nex-flow.com)